



Condensate technology | BEKOSPLIT® 11 | 12 | 13 | 14 | 14S | 15 | 16

For complex jobs: BEKOSPLIT® splits emulsions and treats condensates that are difficult to process

Where condensate cannot be separated physically by gravity only, it must be split chemically, using an emulsion splitting plant.

The BEKOSPLIT® reaction splitting plant is a reliable on-site processing solution for companies that need to treat emulsified condensate. This might occur as a result of unfavourable operating conditions or in connection with certain lubricant-compressor combinations. The process uses a special mineral clay to encapsulate organic compounds such as oil and solids that are not soluble in water in order to remove them from the condensate. The discharge water can be safely disposed of through the foul drain. The BEKOSPLIT® has been type-approved by Deutsches Institut für Bautechnik (DIBt).

By law, condensate must be disposed of safely. The BEKOSPLIT® emulsion splitting plants combine economy and ecology, as they enable you to process condensate at the point at which it occurs in a safe and cost-effective manner.



BEKOSPLIT® is type-approved in Germany

› Automated unit

- › Display indicating operating state
- › Sensor-controlled filling level monitoring
- › Dosing unit for splitting agent
- › Signal contact for error messages and maintenance alerts

› Environmentally-friendly processing

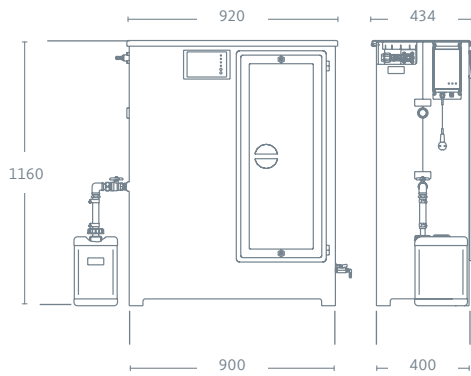
- › Splitting agent made from highly effective clay minerals
- › No need for aggressive detergents
- › Huge reduction in waste volume to below 0.5%

› Low-cost investment, operation and maintenance

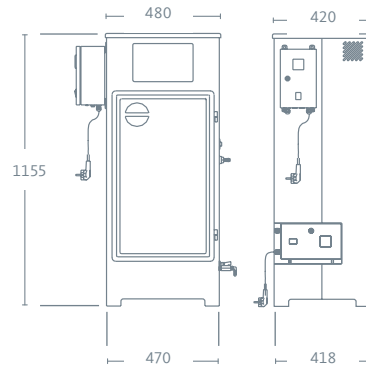
- › 2-year warranty
- › Excellent discharge water quality

› Compact design

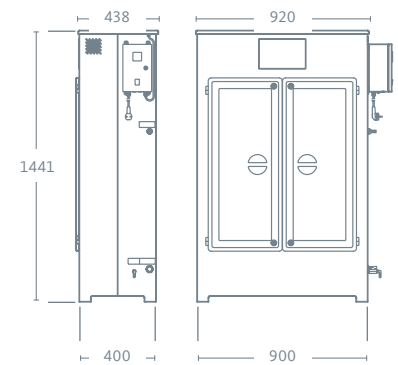
- › Suitable for installation in confined spaces



BEKOSPLIT® 11



BEKOSPLIT® 12



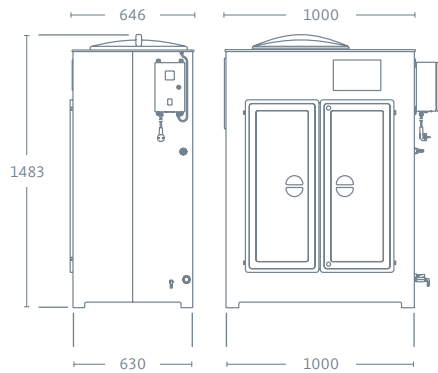
Depth 14 S: 585

BEKOSPLIT® 13 | 14 | 14 S

Dimensions in mm

Technical data	BEKOSPLIT® 11	BEKOSPLIT® 12	BEKOSPLIT® 13	BEKOSPLIT® 14	BEKOSPLIT® 14 S
Max. plant capacity	15 l/h	30 l/h	60 l/h	90 l/h	
Max. compressor capacity	12.5 m³/min	25 m³/min	50 m³/min	75 m³/min	
Reaction tank capacity	10 l		22 l		
Preseparator capacity	70 l	Separate preseparation tank*			
Splitting agent tank capacity	2 l	8.5 l			25 l
Oil receiver capacity	10 l	10 or 20 l, depending on preseparator*			
Filter bag	1 x 25 l		2 x 60 l		
Filter bag wet weight	approx. 25 ... 30 kg		approx. 60 ... 65 kg		
Operating voltage	100 ... 240 VAC ± 10 % / 50 ... 60 Hz	110, 200, 230 VAC ± 10 % / 50 ... 60 Hz	110, 200, 230 VAC ± 10 % / 50 ... 60 Hz	110, 200, 230 VAC ± 10 % / 50 ... 60 Hz	110, 200, 230 VAC ± 10 % / 50 ... 60 Hz
Power consumption	< 100 VA				
Power supply output voltage	24 VDC				
Protection class	IP 54				
Fuse (power supply)	3.15 A / T (slow)	1.0 A / T (slow - 230 VAC) 2.5 A / T (slow 110 - VAC)			
Fuse (control circuit)	Recommended circuit breaker (power supply) - min 6 A / C characteristic	3.15 A / T (slow)			
Contact load	> 5 VDC / > 10 mA < 50 VAC/DC / < 5A / < 150 VA/W				
Condensate inlet (hose)	3 x G½ (di = 13 mm); 1 x G1 (screw fitting)	See preseparator			
Pump inlet (hose)	-	1 x G½ (Ø = 13 mm)			
Water outlet (hose)	1 x G1 (Ø = 25 mm) inside				
Dimensions	433 x 920 x 1160 mm	417 x 480 x 1155 mm	433 x 920 x 1433	433 x 920 x 1433	433 x 920 x 1433
Weight (empty)	48 kg	33 kg	54 kg		55 kg
Reference turbidity	20 mg/l (standard) or 10 mg/l (optional)				
Min./max. ambient temperature	+5 ... +50 °C (storage, transport, medium temperature)				
Max. operating pressure at inlet	16 bar	See preseparator			

* 600 l / 1000 l, see table to the right



BEKOSPLIT® 15 | 16

Dimensions in mm

Technical data	BEKOSPLIT® 15	BEKOSPLIT® 16
Max. plant capacity	120 l/h	160 l/h
Max. compressor performance*	100 m ³ /min	135 m ³ /min
Reaction tank capacity	54 l	
Preseparator capacity	Separate preseparation tank*	
Splitting agent tank capacity	40 l	
Oil reservoir capacity	10 or 20 l, depending on preseparator*	
Filter bag	2 x 60 l	
Filter bag wet weight	approx. 60 ... 65 kg	
Operating voltage	110, 200, 230 VAC ± 10 % / 50 ... 60 Hz	100, 110, 200, 230 VAC ± 10 % / 50 ... 60 Hz
Power consumption	< 100 VA	
Power supply output voltage	24 VDC	
Protection class	IP 54	
Fuse (power supply)	1.0 A / T (slow - 230 VAC) 2.5 A / T (slow 110 - VAC)	
Fuse (control circuit)	3.15 A / T (slow)	
Contact load	> 5 VDC / > 10 mA < 50 VAC/DC / < 5A / < 150 VA/W	
Condensate inlet (hose)	See preseparator	
Pump inlet (hose)	1 x G½ (Ø = 13 mm)	
Water outlet (hose)	1 x G1 (Ø = 25 mm) inside	
Dimensions	630 x 1000 x 1483 mm	630 x 1000 x 1483 mm
Weight (empty)	76 kg	
Reference turbidity	20 mg/l (standard) or 10 mg/l (optional)	
Min./max. ambient temperature	+5 ... +50 °C (storage, transport, medium temperature)	

Preseparator	600 l	1000 l
Container capacity	600 l	1000 l
Preseparator capacity	210 l	400 l
Buffer capacity	390 l	600 l
Max. operating pressure at inlet	25 bar**	
Condensate inlet (hose)	3 x G½ (Ø = 13 mm)	
Oil discharge	Ø = 32 mm	
Oil receiver	10 l	20 l
Weight (empty)	approx. 56 kg	approx. 74 kg
Min./max. storage, transport medium and ambient temperature	+5 ... +50 °C	

** for higher pressures: install high pressure relief chamber

* 600 l / 1000 l, see table to the right

BEKOSPLIT® consumables

Over time, the splitting agent absorbs oil from the condensate and becomes saturated, so that it must be disposed of. We offer two standard splitting agents. For special products, please contact our technical department.



Splitting agent	FL 02		FL 11	
	Packing unit	1	1	1
Weight (kg)	10	25	10	25
Order no.	4020598	4020596	4021427	4021430

For BEKOSPLIT®	Replacement filter kit		Replacement fleece filter kit	
	11 12	3 5 13 14 14 S 15 16	11 12	3 5 13 14 14 S 15 16
Packing unit	5	5	5	5
Weight (kg)	1	1	1	1
Order no.	4012868	4012870	4012867	4012869

Do you have questions about the best way of processing your compressed air?

We have the answers! We offer efficient solutions for any type of processing chain. Please contact us with your queries. We would be delighted to tell you more about our condensate

treatment, filtration, drying, measuring and process technology, and our comprehensive services.

Visit us at



BEKO TECHNOLOGIES GMBH
Im Taubental 7 | D-41468 Neuss

Tel. +49 2131 988 - 1000
info@beko-technologies.com
www.beko-technologies.com



Subject to technical changes without prior notice. Errors and omissions excepted.